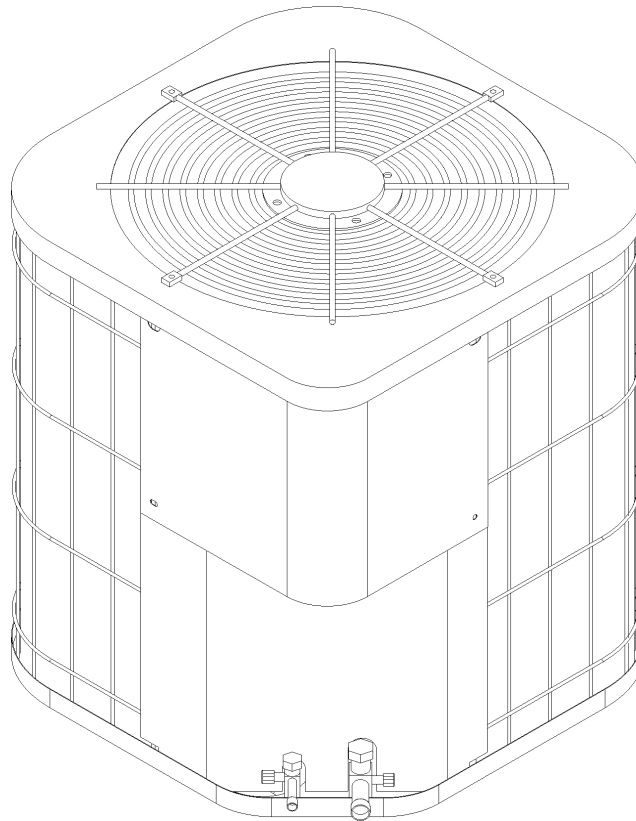




REPAIR PARTS

CKT Condensing Units

CKT24-1
CKT30-1
CKT36-1
CKT36-1A
CKT42-1
CKT42-1A
CKT48-1
CKT48-1A
CKT60-1
CKT60-1A



Goodman Manufacturing Company, L.P.
2550 North Loop West, Suite 400
Houston Texas 77092

www.goodmanmfg.com

RP-189H
April 2007

Important Information

Index

Functional Parts List	3
Illustration and Parts	4 - 5

Views shown are for parts illustrations only, not servicing procedures.

Rev. H: Corrected condenser motor part numbers for models CKT48-1A and CKT60-1.
Corrected cond coil part number for CKT60-1 and CKT60-1A.

Text Codes:

AR - As Required

NA - Not Available

NS - Not Shown

00000000 - See Note

QTY - Quantity Example (QTY 3) (If Quantity not shown, Quantity = 1)

M - Model Example (M1) (If M Code not shown, then part is used on all Models)

Expanded Model Nomenclature:

Example
M1 - Model#1
M2 - Model#2
M3 - Model#3

Goodman Manufacturing Company, L.P. is not responsible for personal injury or property damage resulting from improper service. Review all service information before beginning repairs.

Warranty service must be performed by an authorized technician, using authorized factory parts. If service is required after the warranty expires, Goodman Manufacturing Company, L.P. also recommends contacting an authorized technician and using authorized factory parts.

Goodman Manufacturing Company, L.P. reserves the right to discontinue, or change at any time, specifications or designs without notice or without incurring obligations.

For assistance within the U.S.A. contact:
Consumer Affairs Department
Goodman Manufacturing Company, L.P.
7401 Security Way
Houston, Texas 77040
877-254-4729-Telephone
713-863-2382-Facsimile

For assistance outside the U.S.A. contact:
International Division
Goodman Manufacturing Company, L.P.
7401 Security Way
Houston, Texas 77040
713-861-2500-Telephone
713-863-2382-Facsimile

Functional Parts

Part

No: Description:

Part No:	Description:		
B1226207	ACCUMULATOR (M9)	B1282567	VALVE, SERVICE 7/8" X 7/8" (M3, M5, M6, M7, M8, M9, M10)
CAP050250370RS	CAPACITOR 5/25/370V (M1)		
CAP050350370RS	CAPACITOR 5/35/370V (M2)		
CAP050400370RS	CAPACITOR 5/40/370V (M3, M4, M5)		
CAP050450370RS	CAPACITOR 5/45/370V (M6, M7, M8)		
CAP050550440RT	CAPACITOR 5/55/440V (M9)		
CAP050600370RT	CAPACITOR 5/60/370V (M10)		
ZR47K3PFV935	COMPRESSOR H21R483ABCA (719022-1501-00) (M10)		
CR18K6PFV960	COMPRESSOR H26B18QCBCA (706311-1501-00) (M1)		
CR22K6PFV960	COMPRESSOR H26B22QCBCA (706316-1501-00) (M2)		
B9266640BS	COMPRESSOR H27A32QCBCA (707036-1501-00) (M3, M4)		
CR35K6PFV960	COMPRESSOR H27A35QCBCA (707037-1501-00) (M5)		
CR38K6PFV960	COMPRESSOR H27A38QCBCA (706926-1501-00) (M7, M8)		
B9266206	COMPRESSOR H27A46QCBCA (706816-1501-00) (M9)		
CR35K6PFV960	COMPRESSOR H27B35QCBCA (707106-1501-01) (M6)		
OBSOLETE	CONDENSER COIL 17.5" X 84" (M5, M6)		
1262112	CONDENSER COIL 20" X 84" (M9, M10)		
OBSOLETE	CONDENSER COIL 20" X 84" (M8)		
1262111	CONDENSER COIL 20" X 84" (M7)		
1262107	CONDENSER COIL 25" X 84" (M1)		
1262110	CONDENSER COIL 30" X 84" (M2, M3, M4)		
B1360321	CONTACTOR 25 AMP, 125 LRA, 1P, 277V (M1, M2, M3, M4, M5, M6, M7, M8)		
CONT1P030024V	CONTACTOR 30 AMP, 1P, 24V (M9)		
CONT2P040024V	CONTACTOR 40 AMP, 2P, 24V (M10)		
B13400248S	MOTOR 1/3 HP, 230V, 2.4 AMP, 1 SP (M9, M10)		
B13400247S	MOTOR 1/4 HP, 230V, 1.8 AMP, 1 SP (M3, M5, M6, M7, M8)		
0131M00009PS	MOTOR 1/6 HP, 8 PL, 0.9 AMP, (M1, M2, M4)		
B1219212	SINGLE-FLOW FILTER DRIER, STEEL (M1, M2, M3, M4, M5, M6)		
B1219225	SINGLE-FLOW FILTER DRIER, STEEL (M7, M8, M9, M10)		
B1141670	START ASSIST (M1, M2, M3, M4, M5, M6, M7, M8, M9)		
B1370758	TIME DELAY (ICM) 30 SEC. DELAY (M10)		
B1787000	VALVE CORE (QTY 2)		
B1282566	VALVE, SERVICE 3/4" X 3/4" (M1, M2, M4)		
B1282565	VALVE, SERVICE 3/8" X 3/8" (M3, M5, M7, M9)		

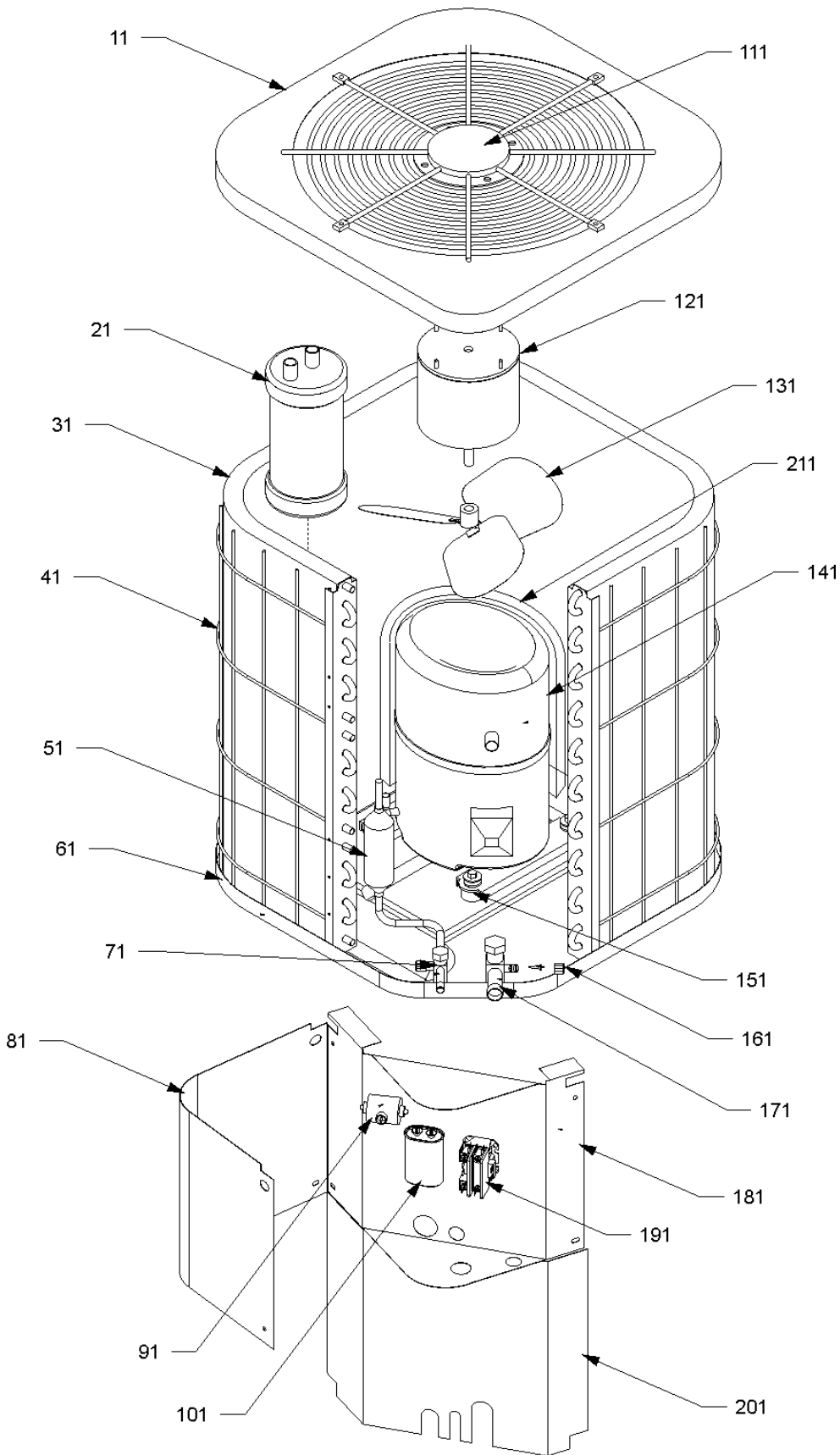
SPECIAL PARTS

IO-101G	INSTALLATION INSTRUCTIONS
RP-189H	REPAIR PARTS MANUAL

Expanded Model Nomenclature

M1 - CKT24-1
M2 - CKT30-1
M3 - CKT36-1
M4 - CKT36-1A
M5 - CKT42-1
M6 - CKT42-1A
M7 - CKT48-1
M8 - CKT48-1A
M9 - CKT60-1
M10 - CKT60-1A

Condensing Unit



Condensing Unit

Ref. Part No:	Part No:	Description:	Ref. Part No:	Part No:	Description:										
<i>Image 1:</i>			141	CR35K6PFV960	COMPRESSOR H27B35QCBCA (707106-1501-01) (M6)										
11	1779412P	TOP PANEL LRG	151	B1339530	COMPRESSOR GROMMET (M1, M2, M4, M6)										
21	B1226207	ACCUMULATOR (M9)	151	B1339533	COMPRESSOR GROMMET (M3, M5, M7, M8, M9, M10)										
31	OBSOLETE	CONDENSER COIL 17.5" X 84" (M5, M6)	161	B1787000	VALVE CORE (QTY 2)										
31	1262111	CONDENSER COIL 20" X 84" (M7)	171	B1282566	VALVE, SERVICE 3/4" X 3/4" (M1, M2, M4)										
31	1262112	CONDENSER COIL 20" X 84" (M9, M10)	171	B1282567	VALVE, SERVICE 7/8" X 7/8" (M3, M5, M6, M7, M8, M9, M10)										
31	OBSOLETE	CONDENSER COIL 20" X 84" (M8)	181	1787623	CONTROL BOX										
31	1262107	CONDENSER COIL 25" X 84" (M1)	191	B1360321	CONTACTOR 25 AMP, 125 LRA, 1P, 277V (M1, M2, M3, M4, M5, M6, M7, M8)										
31	1262110	CONDENSER COIL 30" X 84" (M2, M3, M4)	191	CONT1P030024V	CONTACTOR 30 AMP, 1P, 24V (M9)										
41	B1259625	INLET GRILLE 25" (M1)	191	CONT2P040024V	CONTACTOR 40 AMP, 2P, 24V (M10)										
41	B1259630	INLET GRILLE 30" (M2, M3, M4)	201	1787707P	ACCESS PANEL 25" (M1)										
41	B1259637	INLET GRILLE 37.5" (M5, M6)	201	1787709P	ACCESS PANEL 30" (M2, M3, M4)										
41	B1259640	INLET GRILLE 40" (M7, M8, M9, M10)	201	1787717P	ACCESS PANEL 37.5" (M5, M6)										
51	B1219212	SINGLE-FLOW FILTER DRIER, STEEL (M1, M2, M3, M4, M5, M6)	201	1787718P	ACCESS PANEL 40" (M7, M8, M9, M10)										
51	B1219225	SINGLE-FLOW FILTER DRIER, STEEL (M7, M8, M9, M10)	211	B1488800	COMPRESSOR BLANKET (M3, M5, M7, M9)										
61	1787210P	FORMED BOTTOM PAN	NS	1284835	CAPACITOR STRAP										
71	B1282565	VALVE, SERVICE 3/8" X 3/8" (M3, M5, M7, M9)	NS	IO-101G	INSTALLATION INSTRUCTIONS										
81	1787624P	CONTROL BOX COVER	NS	RP-189H	REPAIR PARTS MANUAL										
91	B1141670	START ASSIST (M1, M2, M3, M4, M5, M6, M7, M8, M9)	NS	B1370758	TIME DELAY (ICM) 30 SEC. DELAY (M10)										
101	CAP050250370RS	CAPACITOR 5/25/370V (M1)	Expanded Model Nomenclature												
101	CAP050350370RS	CAPACITOR 5/35/370V (M2)	<table border="1"> <tr><td>M1 - CKT24-1</td></tr> <tr><td>M2 - CKT30-1</td></tr> <tr><td>M3 - CKT36-1</td></tr> <tr><td>M4 - CKT36-1A</td></tr> <tr><td>M5 - CKT42-1</td></tr> <tr><td>M6 - CKT42-1A</td></tr> <tr><td>M7 - CKT48-1</td></tr> <tr><td>M8 - CKT48-1A</td></tr> <tr><td>M9 - CKT60-1</td></tr> <tr><td>M10 - CKT60-1A</td></tr> </table>			M1 - CKT24-1	M2 - CKT30-1	M3 - CKT36-1	M4 - CKT36-1A	M5 - CKT42-1	M6 - CKT42-1A	M7 - CKT48-1	M8 - CKT48-1A	M9 - CKT60-1	M10 - CKT60-1A
M1 - CKT24-1															
M2 - CKT30-1															
M3 - CKT36-1															
M4 - CKT36-1A															
M5 - CKT42-1															
M6 - CKT42-1A															
M7 - CKT48-1															
M8 - CKT48-1A															
M9 - CKT60-1															
M10 - CKT60-1A															
101	CAP050400370RS	CAPACITOR 5/40/370V (M3, M4, M5)													
101	CAP050450370RS	CAPACITOR 5/45/370V (M6, M7, M8)													
101	CAP050550440RT	CAPACITOR 5/55/440V (M9)													
101	CAP050600370RT	CAPACITOR 5/60/370V (M10)													
111	B1376916	FAN GRILLE GUARD 22"													
121	B13400248S	MOTOR 1/3 HP, 230V, 2.4 AMP, 1 SP (M9, M10)													
121	B13400247S	MOTOR 1/4 HP, 230V, 1.8 AMP, 1 SP (M3, M5, M6, M7, M8)													
121	0131M00009PS	MOTOR 1/6 HP, 8 PL, 0.9 AMP, (M1, M2, M4)													
131	B1086750S	FAN BLADE 22", 3 BLADE, 24 DEGREE (M1, M2, M3, M4, M5, M6, M7, M8)													
131	B1086748	FAN BLADE 22", 3 BLADE, 30 DEGREE (M9, M10)													
141	ZR47K3PFV935	COMPRESSOR H21R483ABCA (719022-1501-00) (M10)													
141	CR18K6PFV960	COMPRESSOR H26B18QCBCA (706311-1501-00) (M1)													
141	CR22K6PFV960	COMPRESSOR H26B22QCBCA (706316-1501-00) (M2)													
141	B9266640BS	COMPRESSOR H27A32QCBCA (707036-1501-00) (M3, M4)													
141	CR35K6PFV960	COMPRESSOR H27A35QCBCA (707037-1501-00) (M5)													
141	CR38K6PFV960	COMPRESSOR H27A38QCBCA (706926-1501-00) (M7, M8)													
141	B9266206	COMPRESSOR H27A46QCBCA (706816-1501-00) (M9)													

